

DELTA



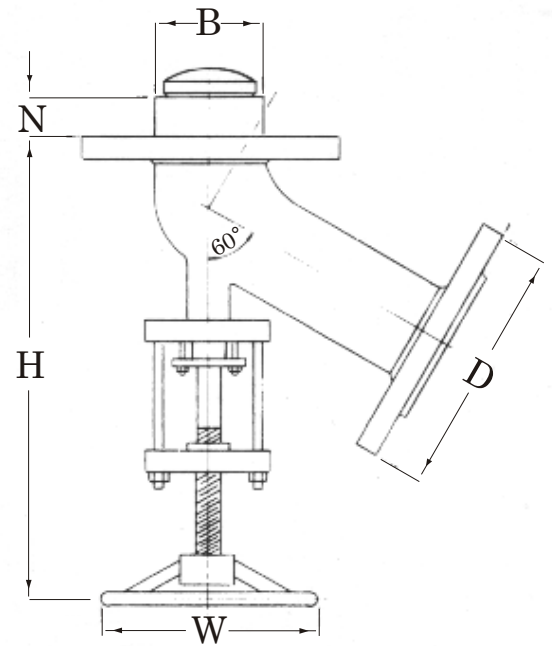
Bottom Outlet Valves

DELTA Bottom Outlet Valves

DIMENSIONS AND WEIGHTS

Size	Flange face to hand-wheel	Nozzle length	Flange dia.	Connector depth	Connector dai.	Hand-wheel	Weight approx.
DN	H	L	D	N	B	W	kg
50	295	150	165	25	70	160	12
65	345	165	185	30	85	180	16
80	500	185	200	35	100	180	18
100	520	208	230	35	120	225	26
125	540	225	250	35	150	225	38
150	600	250	285	40	175	280	58
200	750	275	343	35	225	320	72

All dimensions in mm



TECHNICAL DATA

Body	: CF8M cast stainless steel, fabricated 316L stainless steel or other materials on request.	Operation	: handwheel. Options include worm gear operators; pneumatic or electric actuators with or without manual override.
Trim	: 316 stainless steel, Stellite, PTFE, Viton, or other elastomers.	Maximum working pressure	: 16 bar WOG
End connections	: flanged BS4504 Table 10/16 undrilled.	Test pressures	: Body-32 bar hydraulic. Seat-24 bar hydraulic 1,6 bar air.

FEATURES AND BENEFITS

- Rising disk design gives shorter overall height and faster opening.
- Rising disk design means that any thick crust or sediment in a tank is easily penetrated.
- Shut-off is flush with the bottom of the vessel. There is no dead space.
- 316L stainless steel offers excellent corrosion resistance.
- Special trim can be supplied for "difficult" applications.
- Connectors can be made to variable lengths and with special sealing materials.
- DELTA bottom outlet valves are manufactured in South Africa under strict quality control standards.
- DELTA bottom outlet valves are guaranteed by the manufacturer for 12 months against defective workmanship and materials.

Available from:

We reserve the rights to alter dimensions and/or materials of construction at any time, without notice. Please refer to us when purchasing if any detail is critical to selection.