

# COMPACT

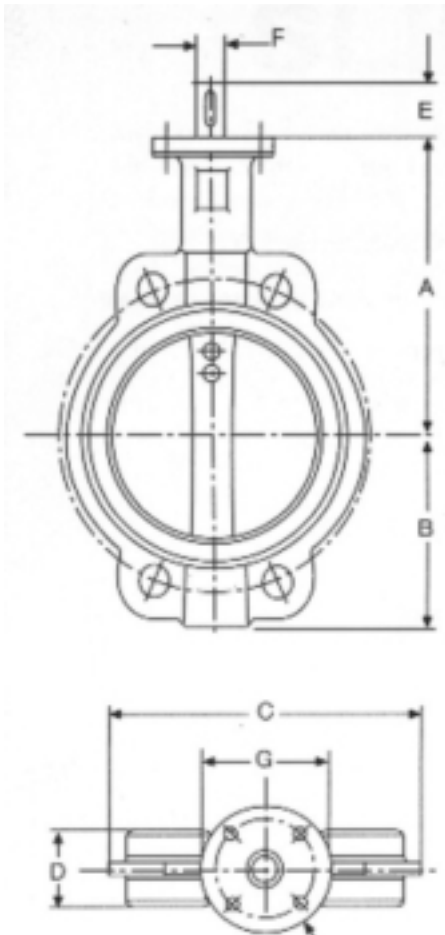


Superseded



## Butterfly Valves

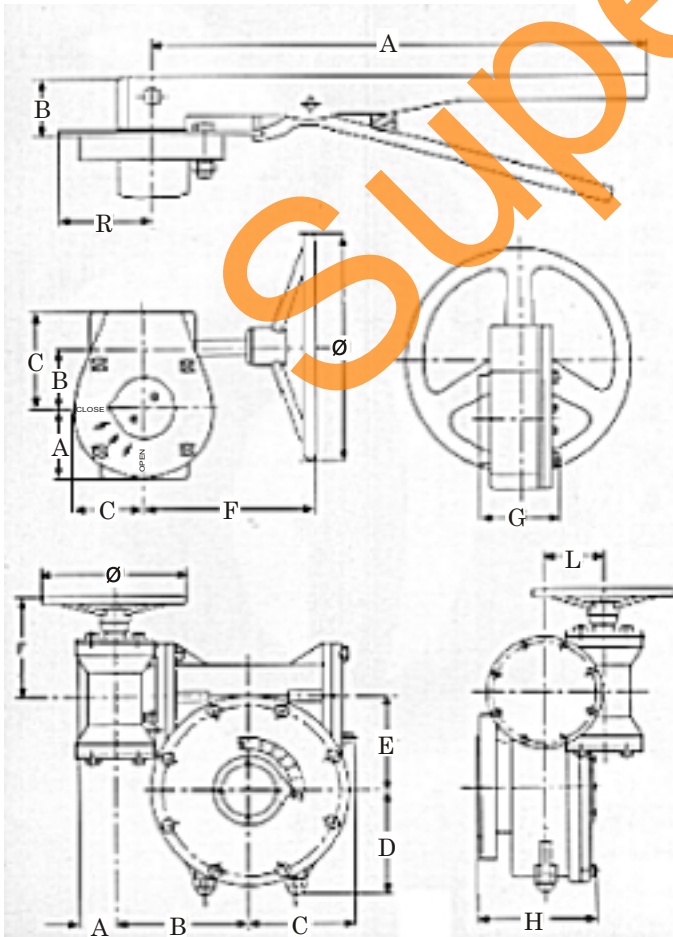
# DIMENSIONS AND WEIGHTS



4 - H dia holes on J bolt circle  
Note: DN600 has 8 holes

Size DN	Pressure PN	Dimensions - mm									Approx Weight kg
		A	B	C	D*	E	F	G	n-H	J	
50	10/16/25	98	54	95	43	32	12	65	4-7	50	2
65	10/16/25	109	65	109	46	32	12	65	4-7	50	2
80	10/16/25	116	72	126	46	32	16	65	4-7	50	3
100	10/16/25	136	90	156	52	32	16	65	4-7	50	4
125	10/16/25	174	121	188	56	34	22	90	4-10	70	8
150	10/16/25	186	132	218	56	34	22	90	4-10	70	10
200	10/16	232	187	270	60	45	22	90	4-10	70	16
200	25	232	187	270	60	45	22	125	4-12	102	17
250	10/16/25	265	221	330	68	54	27	125	4-12	102	24
300	10/16/25	310	254	388	78	54	27	125	4-12	102	36
350	10	324	282	435	92	64	36	125	4-12	102	54
350	16	324	282	435	92	64	36	175	4-16	125	54
350	25	324	282	435	92	64	36	175	4-18	140	55
400	10	370	327	485	102	69	40	175	4-16	125	75
400	16/25	370	327	485	102	69	40	175	4-18	140	75
450	10	380	345	535	114	79	50	210	4-18	140	98
450	16/25	380	345	535	114	79	50	210	4-22	165	98
500	10	400	382	590	127	89	50	210	4-18	140	132
500	16/25	400	382	590	127	89	50	210	4-22	165	132
600	10	464	457	690	154	109	60	300	4-22	165	235
600	16/25	464	457	690	154	109	60	300	8-18	254	235

\* Face to face dimensions are for installed conditions with liner compressed. Free length exceeds this dimension by approximately 2 to 4mm depending upon valve size



Size DN	A	B	R	kg
50-150	267	32	51	0.9
200-250	359	38	76	2.3
300	510	55	115	4.8

Size DN	Press DN	A	B	C	E	F	G	Ø	kg
50-100	10/16/25	45	49	78	48	140	60	114	4
125-150	10/16/25	45	49	78	48	140	60	200	5
200	10/16	45	49	78	48	140	60	200	5
200	25	63	64	100	63	140	67	325	11
250-300	10/16/25	63	64	100	63	140	67	325	11
350	10	63	64	100	63	140	67	325	11
350	16	85	80	120	85	230	83	305	13
350	25	88	100	140	103	320	92	350	36
400	10	85	80	120	85	230	83	305	13
400	16/25	88	100	140	103	320	92	350	36
450-500	10	88	100	140	103	320	92	450	40
450-500	16/25	107	122	173	131	390	115	450	40
600	10	107	122	173	131	390	115	450	40

Size DN	Press DN	A	B	C	D	E	F	H	L	Ø	kg
450-500	16/25	32	32	32	32	32	51	32	32	32	0.9
600	10	38	38	38	38	38	76	38	38	38	2.3
600	16/25	55	55	55	55	55	115	55	55	55	4.8

# COMPACT

## FEATURES AND BENEFITS

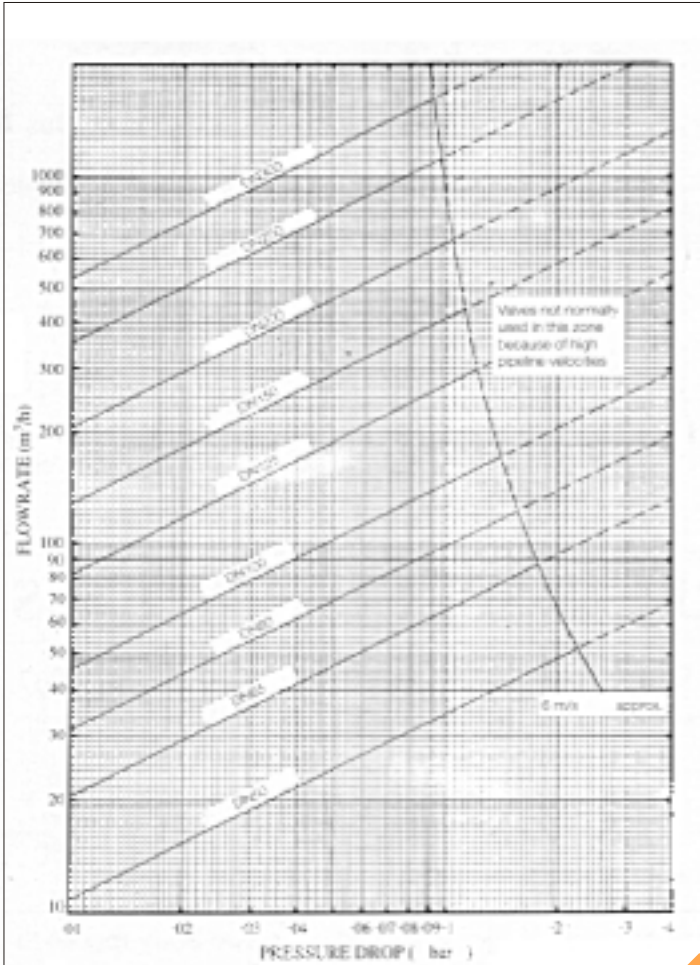
- Light and COMPACT
- Maintenance Free
- Smooth, ¼ turn operation
- Accepts flow in either direction
- "Zero" leak
- No gaskets and fewer flange bolts
- Triple shaft seals throughout
- Self-lubricating bearings
- Mounting flange dimensions and drilling in accordance with ISO Standard 5211/1
- Wafer pattern easy to install
- Standard 16 bar working pressure
- Also available in 10 and 25 bar rating
- Standard temperatures minus 15°C to plus 105°C
- Higher temperatures and pressure on request
- Wide choice of seat and disk materials
- Handle broad range of fluid and gaseous media
- Full throttling capability
- Easy and economical to install with electric/pneumatic/hydraulic actuators and accessories

### TECHNICAL DATA AND MATERIALS SPECIFICATIONS

<b>General</b>	COMPACT butterfly valves conform to EN 593PN16 (short) and to American standards MSS SP67 and API 609. They are designed to fit without gaskets between flanges drilled to any of the following specifications: SABS 1123 NP1000 and NP1600; BS 4504 PN10, PN16 and PN25; ANSI B16.0 Class 125; ANSI B16.5 Class 150; BS10 Tables "D" and "E"
<b>Body</b>	Cast iron SABS 1034 grade 200 or SABS 936 grade SG42 spheroidal graphite iron.
<b>Liner</b>	EPMD or high nitrile rubber moulded to body to form a resilient seal. Liner is lapped over into body recess to provide self-sealing joint with mating pipe flanges. Other liner options on request.
<b>Disks</b>	DN50 and DN80 - injection moulded glass filled acetal resin. DN100 to DN600 - spheroidal graphite iron SABS 936 grade SG42 with nylon coating. Other coating option on request. DN50 to DN600 - 316 stainless steel to ASTM A351 Gr. CF8M. All disks are firmly secured to the shaft.
<b>Shaft</b>	Grade 431 S29 stainless steel to BS 970. AISI 316 also available
<b>Shaft seals</b>	Primary and secondary - integral with body liner Tertiary O-ring - shaft mounted for sizes DN50 to DN150 Tertiary O-ring - shaft mounted and replaceable for DN200 to DN600
<b>Bare shaft</b>	All sizes available with bare shaft for fitting proprietary actuators or preferred alternative operating mechanisms.
<b>Trigger lever</b>	DN50 to DN300 - incorporates a spring loaded trigger enabling the disk to be set in a number of intermediate positions from fully open to fully closed.
<b>Gearbox</b>	DN50 to DN600 - weatherproof unit with spoked handwheel. Worm and quadrant self-locking operation provides full throttling capability. Adjustable limit stops at fully open and closed positions.
<b>Shear pins</b>	All gearbox handwheels are fitted with shear pins to prevent any over-torquing and damage to gearbox.
<b>Protective coating</b>	All valves are finished in protective red oxide primer. Other protective coatings and colours are available on request.
<b>Tagging</b>	Valves may be tagged to customers' specifications.
<b>Markings</b>	To EN 593 specifications
<b>Body lugs</b>	DN150 to DN300 - two lugs; DN350 to DN600 - four lugs.

# Butterfly Valves

# COMPACT Butterfly Valves



Please discuss your specific needs with our Technical representative. He'll be pleased to help you find a practical and reliable solution.

YOU CANNOT LOSE  
WITH THIS OFFER

## FREE TRIAL

When next you are in the market for butterfly valves, when you decide to replace costly and heavy gate or globe valves with economic and lightweight COMPACTS. When you have a suitable application that demands ease of operation - INSTALL A COMPACT FREE OF CHARGE!

After 3 months we'll expect you to pay for it or return it, what better way is there to prove to yourself that COMPACTS ARE A SOUND INVESTMENT IN SOUTH AFRICAN TECHNOLOGY.

## REPLACEMENT COMPACT AT HALF PRICE

All valves have a "life". The length depends upon the operating conditions. Eventually normal wear and tear means that even a COMPACT has to be replaced

As a valued COMPACT user we will give you 50% discount off list price for your old COMPACT upon receipt of your order for the same size and type of new COMPACT!

**This will reduce by 50% your butterfly valve replacement costs.**

### VALVE ACTUATORS AND ACCESSORIES

- Pneumatic (single or double acting)
- Electric (single phase or 3 phase)
- Hydraulic
- Limit switch boxes
- Proximity switch boxes
- Visual indicators
- Special enclosures and coatings
- Air filters, regulators, lubricators
- Failsafe devices
- Positioners
- Manual overrides
- Solenoids valves
- Extension spindles
- ISO bracketry
- Remote control systems
- Exhaust restrictors/Speed regulators



Available from:

**COMPACTS COMMAND COMPLETE CONFIDENCE**

*We reserve the rights to alter dimensions and/or materials of construction at any time, without notice. Please refer to us when purchasing if any detail is critical to selection.*