

# MULTI-PORTED BRASS BALL VALVES

# 128

Screwed BS 21

DN8 to DN50



# 128

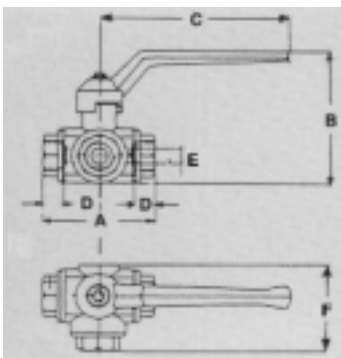
Three-way

'T' or 'L'-port

Reduced bore

Anti-blowout stem

End entry



**Applications** - will handle a wide range of media in industrial, pneumatic and hydraulic medium pressure systems. Useful for diverting, blending and segregating flows and may be installed in parallel or in sequence for switching and isolating duties in tandem or crossover assemblies.

**Specification** - the hot pressed brass end entry nickel plated body is zinc coated to combat atmospheric corrosion. The brass ball is hard chrome plated. Seats and body seals are in PTFE. 'L'-port or 'T'-port configuration may be specified by purchaser. Ends are threaded BS 21 (ISO 7) taper.

**P/T ratings** - 25 bar CWP.

## Materials

Part	Material	Part	Material
Body	Hot pressed brass - nickel plated	Seat	PTFE
Ball	Hot pressed brass - chrome plated	Stem seal	Viton
Stem	Hot pressed brass	Handle	Aluminium

**Testing** - each valve is individually tested for body and seat tightness.

## Dimensions mm

DN	in	A	B	C	D	E	F
8	1/4	77	85	125	19	10	58
10	3/8	77	85	125	19	12	58
15	1/2	77	85	125	19	14	58
20	3/4	92	107	145	23	18	70
25	1	104	124	170	25	23	80
32	1 1/4	118	134	170	27	29	92
40	1 1/2	138	145	170	31	36	109
50	2	162	168	260	36	45	128

ITAP

