

BRASS GATE VALVES

157

PN16

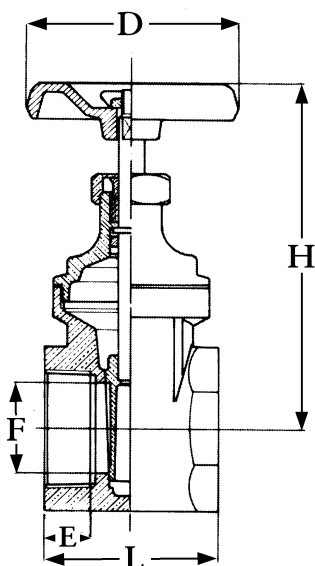
Screwed BSP

DN8 to DN100



157

Solid wedge disk
Non-rising stem
Screwed bonnet
Handwheel



ITAP

Applications - ideal for strictly on/off duties and infrequent operation within the limit of 16 bar at maximum 110°Celsius temperature. Excellent for all non-aggressive, non-corrosive and non-abrasive media.

Specification - straight through design offers good K_V and low Δp . The solid wedge disk closes tightly on the slightly tapered integral body seats to give bubble-tight shut-off. The ends are threaded BS 21 parallel.

P/T ratings - 16 bar at 110°Celsius maximum operating temperature.

Materials

Body, bonnet, disk, stem, seat and hexagonal nut are all in hot stamped brass. The screwed bonnet is fitted with a fibre washer and the stem with an EPDM washer.

Testing - each valve is individually tested.

Dimensions mm

DN	8	10	15	20	25	32	40	50	65	80	100
in	1/4	3/8	1/2	3/4	1	1 1/4	1 1/2	2	2 1/2	3	4
L	33	33	43	47	53	57	61	67	74	86	98
H	67	67	68	78	93	108	125	143	175	205	235
D	45	45	45	50	55	60	70	80	100	100	120
F	13	13	15	19	24	32	37	47	60	72	93
E	8	8	10	11	13	14	14	16	17	19	22

