

# STAINLESS STEEL MULTI-PORTED BALL VALVES

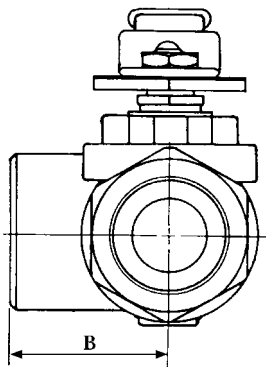
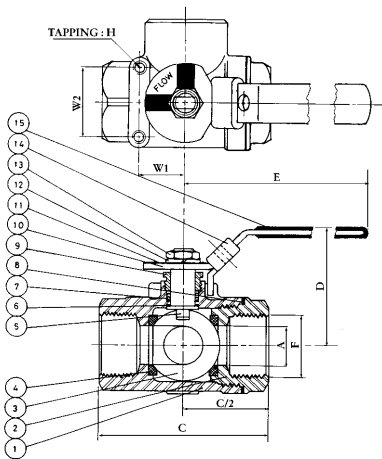
## # 33-10-L

69 bar WOG  
Stainless steel  
ASTM A351 CF8M  
Screwed BS 21  
DN15 to DN50



## # 33-10-L

Three-way L-port  
Three seat rings  
Reduced bore  
Anti-blowout stem  
Locking device

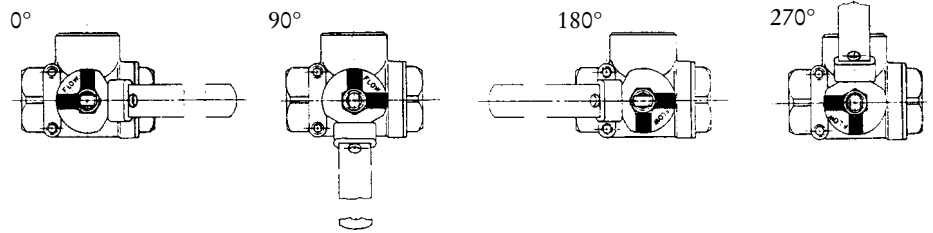


**CONDOR**

**Applications** – the ability of multi-ported valves to divert, blend or segregate fluid flows offers process engineers creative and cost saving design potential. The valves may be installed in series, operating in sequence or working simultaneously. The all-stainless steel construction will handle a wide range of corrosive/abrasive media within the P/T limits shown.

**Specification** – investment cast ASTM A351 CF8M body, cap and ends including integral tapped actuator mounting pad. Stem seals are adjustable to maintain positive shut-off. Full 360° rotation with four lockable positions as illustrated below. The stem incorporates an anti-blowout lip. The reinforced PTFE seats and packing permit temperatures up to 232° Celsius. The ends are threaded BS 21 (ISO 7) taper. The valves are bi-directional.

## Flow patterns



**P/T ratings** – rated 69 bar WOG; temperature range minus 76° Celsius to plus 232° Celsius the highest useful temperature for glass reinforced PTFE. Pressure capability reduces as valve DN increases; check with our Technical Department.

## Materials

No	Part	Material	No	Part	Material
1	Body	ASTM A351 CF8M	9	Gland nut	ASTM A479 304
2	End cap	ASTM A351 CF8M	10	Handle	ASTM A479 304
3	Ball	ASTM A351 CF8M	11	Flow indicator	Aluminium
4	Seat	Reinforced PTFE	12	Handle washer	ASTM A479 304
5	Stem	ASTM A479 316	13	Handle nut	ASTM A479 304
6	Thrust washer	PTFE	14	Locking device	ASTM A479 304
7	Stem packing	Reinforced PTFE	15	Handle cover	Plastic
8	Packing	PTFE	-	-	-

**Testing** – each valve is individually tested for tightness of body and seats.

## Dimensions mm

DN	in	A	B	C	D	E	W1	W2
15	1/2	13	30	60	56	110	13	29
20	3/4	16	38	76	64	130	22	35
25	1	20	41	82	66	130	22	35
40	1 1/2	32	61	112	83	150	25	38
50	2	38	69	138	88	150	25	38

**Options** – compact pneumatic/electric actuation and accessories.

